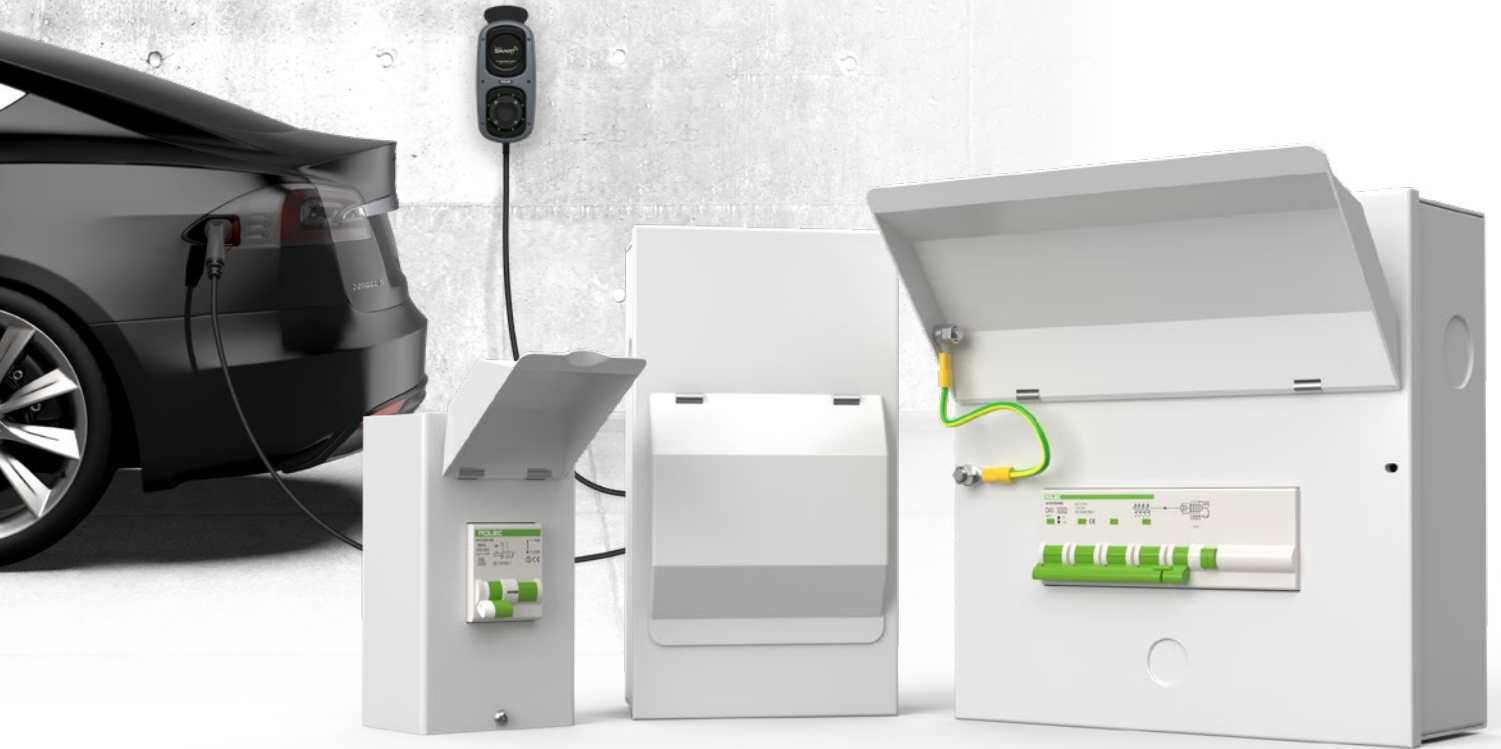


EV CONSUMER UNITS

For Single & Three Phase Installations

ROLEC
EV Charging

MANUFACTURED IN THE UK



Rolec offers a comprehensive range of metal clad consumer units for various domestic and commercial electric vehicle chargepoint installation requirements. Our range of consumer units distribute power, provide short circuit, overcurrent and earth leakage protection whilst allowing for a safe and streamlined installation process for electrical contractors.

Our consumer units are available in Type A and Type B variants, providing a solution for all electric vehicle chargepoint installation requirements.

PRODUCT FEATURES

- IP40 rated Powder Coated metal consumer unit
- Available in 20A (16A charger) & 40A (32A charger) options
- BS7671 18th edition compliant
- Able to protect all types of EV chargepoints
- Built-in overload & fault current protection
- IK10 impact resistant design



Suitable for Domestic & Commercial Installs



Platinum Range Switchgear



20A or 40A Versions



IP40 Rated



IK10 Impact Rating



CE Certified

SPECIFICATIONS

PRODUCT OVERVIEW

Product Type	Product Code	Rated Current	Input Voltage	Fault Protection	Enclosure
TYPE A EV CONSUMER UNITS Ideal for the installation of a EV Charging Point which has a DC Protective Device & PME Fault Detection	EVIN0010	20A	230VAC / 50Hz (Single Phase)	20A 30mA 2P Type A RCBO	2MOD
	EVIN0015	40A		40A 30mA 2P Type A RCBO	
	EVIN0070	20A	400VAC / 50Hz (Three Phase)	20A 30mA 4P Type A RCBO	8MOD
	EVIN0075	40A		40A 30mA 4P Type A RCBO	
TYPE B EV CONSUMER UNITS Ideal for the installation of a EV Charging Point which has PME Fault Detection	EVIN0020	20A	230VAC / 50Hz (Single Phase)	20A 1P 6KA MCB & 63A 30mA 2P Type B RCD	4MOD
	EVIN0025	40A		40A 1P 6KA MCB & 63A 30mA 2P Type B RCD	
	EVIN0080	20A	400VAC / 50Hz (Three Phase)	20A 4P 6KA MCB & 63A 30mA 4P Type B RCD	8MOD
	EVIN0085	40A		40A 4P 6KA MCB & 63A 30mA 4P Type B RCD	

TECHNICAL DATA

Terminals	≥16mm
Certifications & Compliances	Low Voltage Directive (LVD) - 2014/35/EU
	Wiring Regulations - BS 7671:2018
	Environmental Protection - BS EN 60529:1992+A2:2013
	RCBO - IEC 61009-1:2010+A1+A2+A11+A12, IEC 61009-2-2:1991
	Enclosure - EN 55014: 2006+A1: 2009+A2: 2011, EN 60335-1:2012+A11:2014
CE	Cables - BS6004
	RoHS - 2011/65/EU
	REACH - 1907/2006
Dimensions	2MOD - 80mm x 146mm x 90mm (W x H x D) 4MOD - 126mm x 240mm x 110mm (W x H x D) 8MOD - 240mm x 240mm x 105mm (W x H x D)
Materials	Epoxy Polyester Powder Coated Steel Enclosure
Operating Temperature	-25°C to +55°C
Colour	Grey

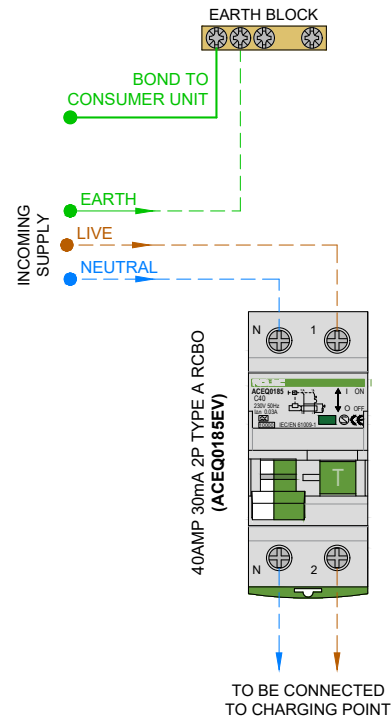
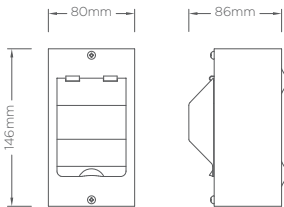


SPECIFICATIONS

TYPE A SCHEMATICS

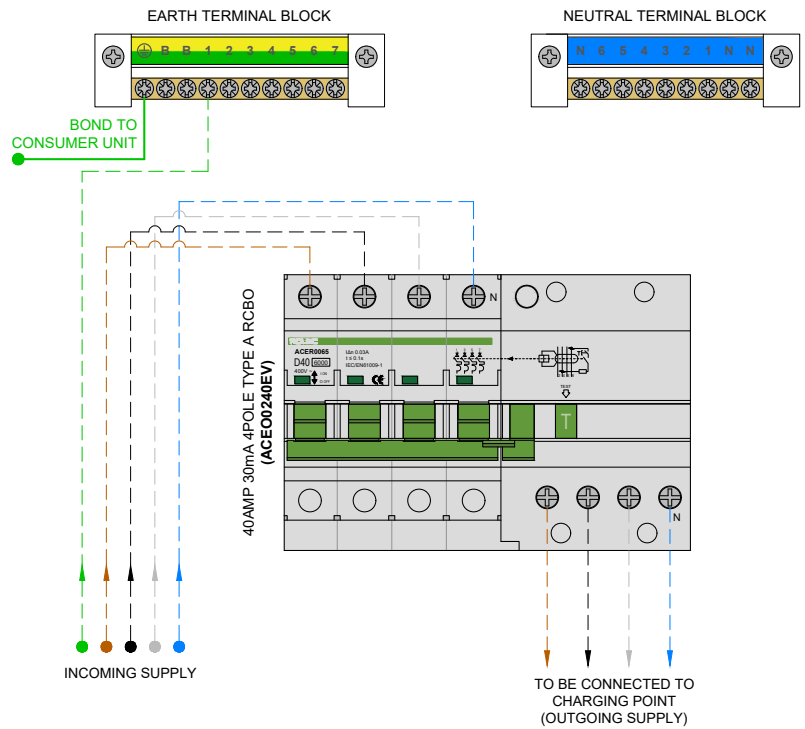
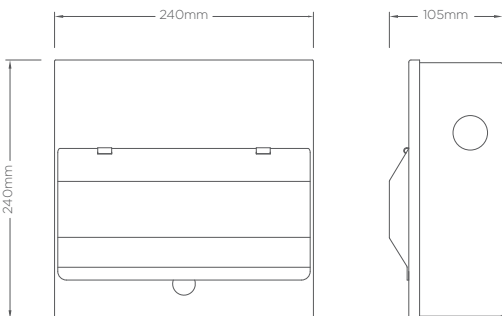
2MOD Consumer Unit Type A Single Phase

- EVIN0010
- EVIN0055



8MOD Consumer Unit Type A Three Phase

- EVIN0070
- EVIN0075

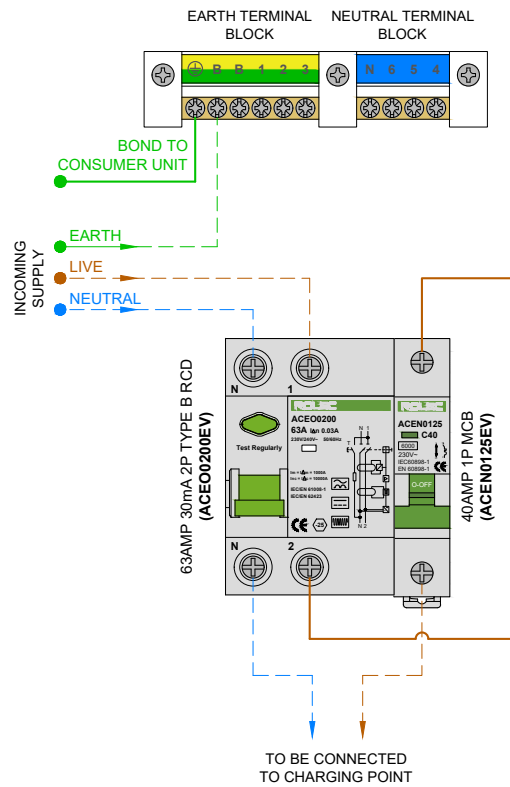
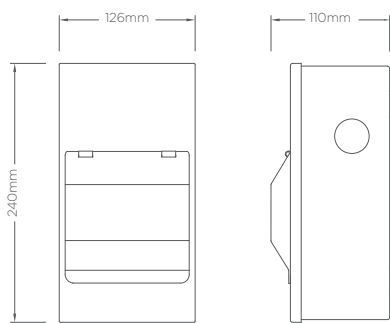


SPECIFICATIONS

TYPE B SCHEMATICS

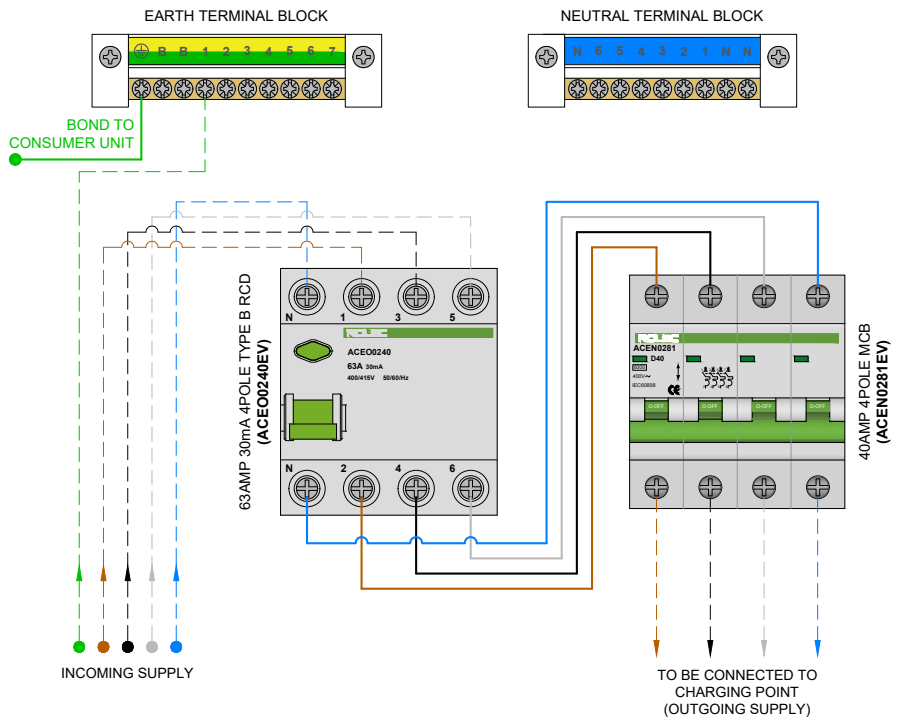
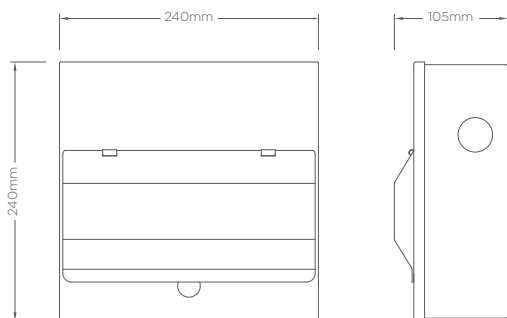
4MOD Consumer Unit Type B Single Phase

- EVIN0020
- EVIN0025



8MOD Consumer Unit Type B Three Phase

- EVIN0080
- EVIN0085



Images are for marketing purposes only and are not contractual © 2022



Head office contact:
t: +44 (0) 1205 724754
f: +44 (0) 1205 724876
enquiries@rolecserv.co.uk

Rolec Services Ltd
Ralphs Lane, Frampton West
Boston, Lincolnshire
UK. PE20 1QU



www.rolecserv.com

EVCUD-V01-R0 EV Consumer Units - Data Sheet